

Genuine Chillcel® Pads

Thank you for purchasing a Genuine *SuperFormance™* component from Seeley International.

These Chillcel pads have been engineered and manufactured to the highest standard to maximise the performance of your cooling system.

New Pads

New Chillcel pads may have a slight odour when first installed. This odour is normal and will dissipate within a couple of days of use. The odour can be reduced by flushing water through the pads and draining the cooler. New pads may also take several hours to fully wet out when first used.

Seasonal Maintenance

To maximise the life of your new Chillcel pads ensure your cooler salinity management or bleed system is functioning correctly to prevent excessive salt build-up in the pads.

It is also recommended to gently rinse your Chillcel pads with water annually to clean the pads and remove any dust build-up.

Installation

Step 1

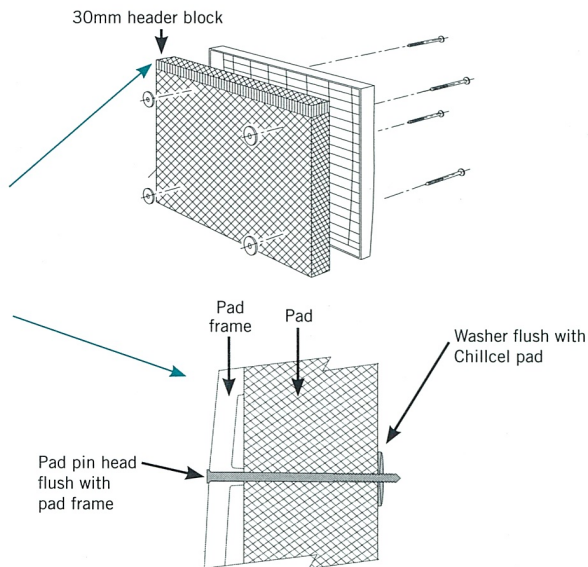
Remove pad frames from cooler as per instructions in user manual and remove old pads.

Step 2

Fit new Chillcel pads to frames ensuring the 30mm header block is at the top.

Step 3

Secure the Chillcel pads with new pad pins and washers. Ensure the pins are fully inserted and the washers are flush with the surface of the pad to securely retain the Chillcel.



Please note

All service and maintenance work should be carried out by suitably trained and licensed personnel. For your local service agent visit seeleyinternational.com and click on the 'get support' tab.